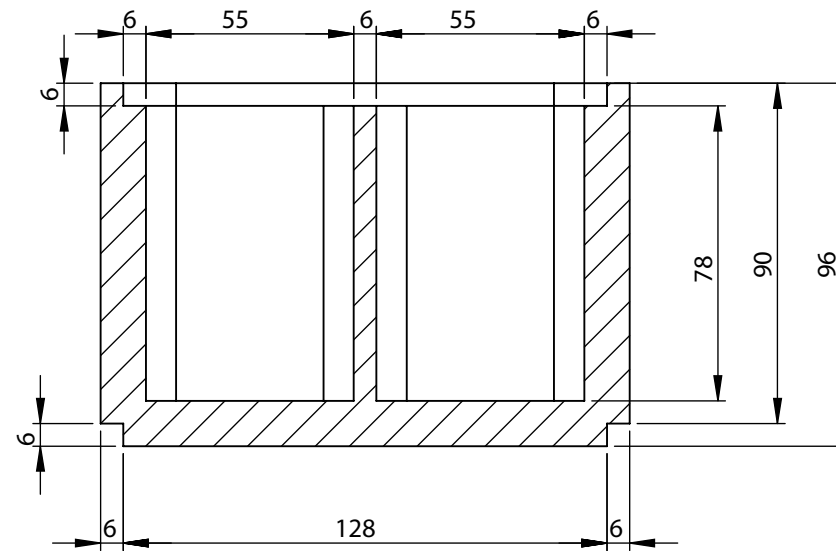
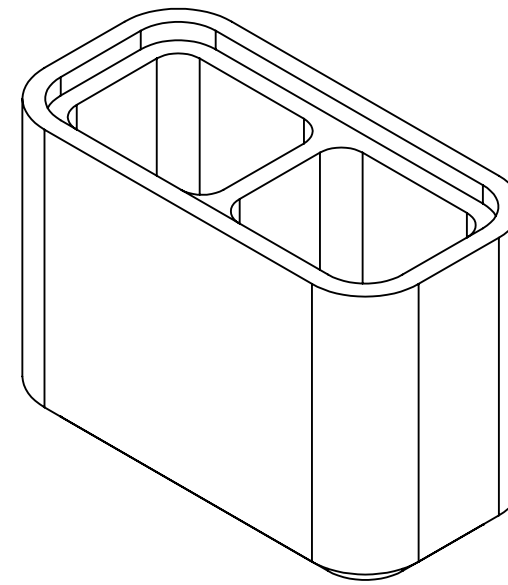


TOP VIEW



SECTION A-A