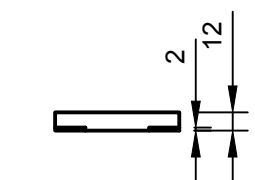
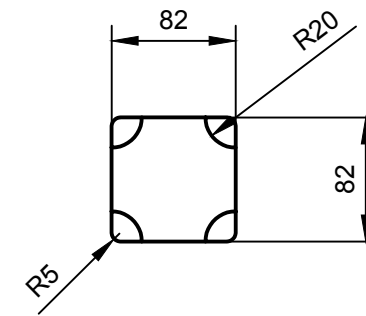


A-A (1:5)



DRAIN COVER

B-B (1:5)

