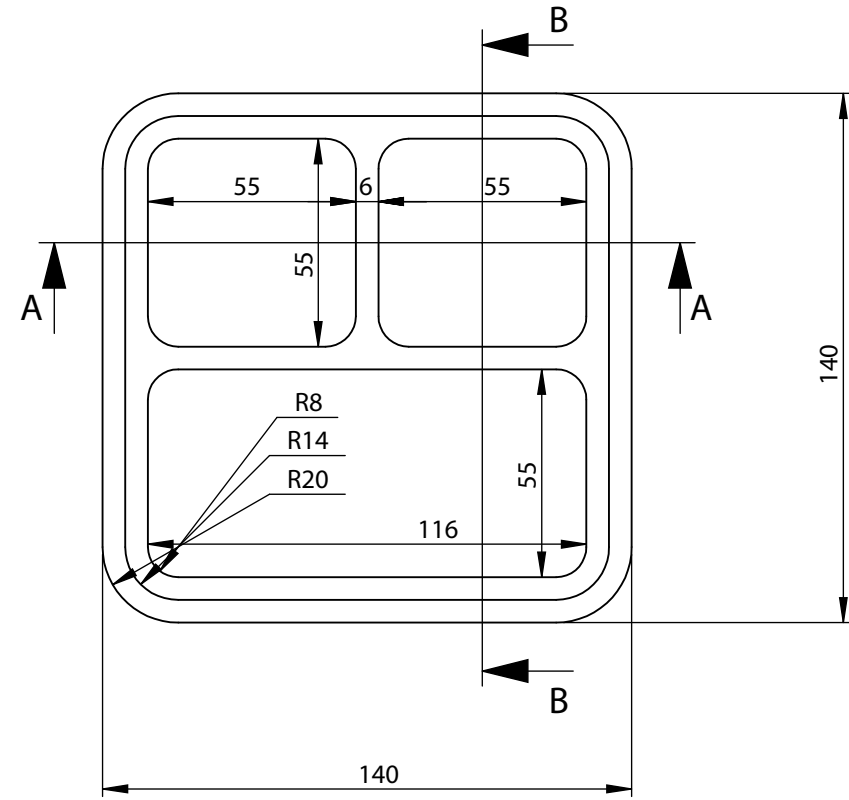
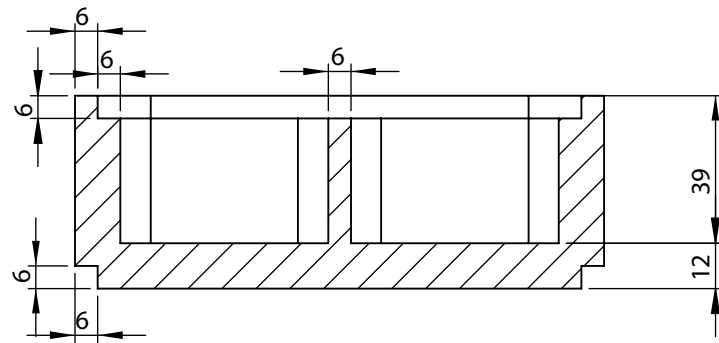


BOX

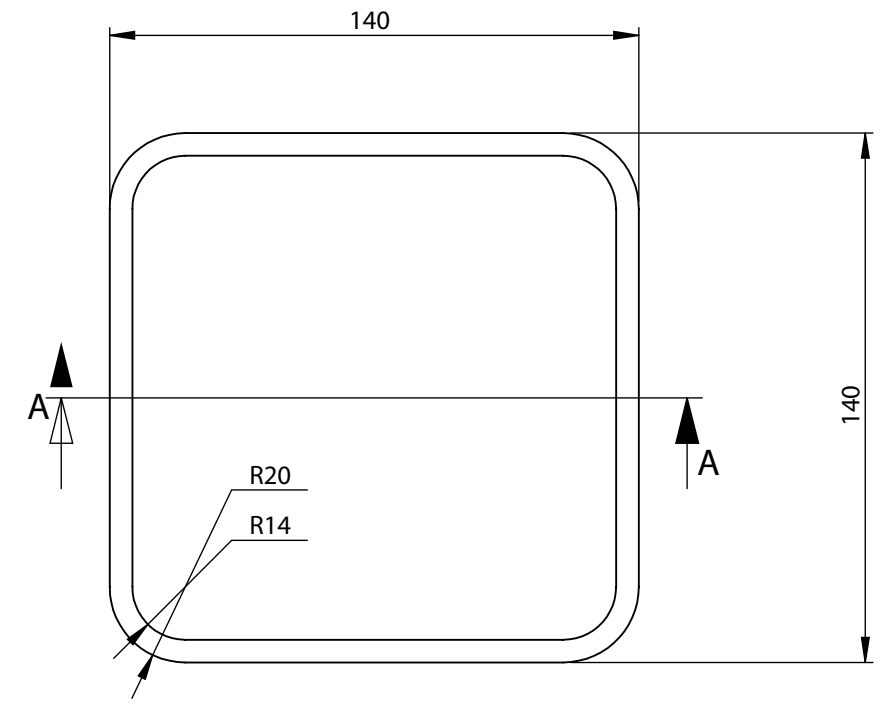


TOP VIEW

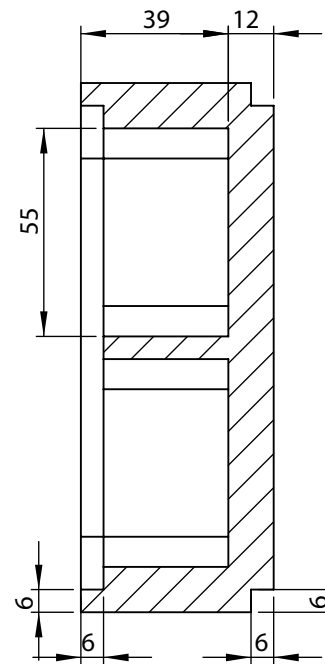


SECTION A-A

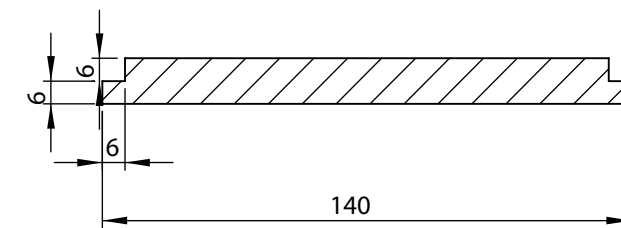
COVER



BOTTOM VIEW



SECTION B-B



SECTION A-A