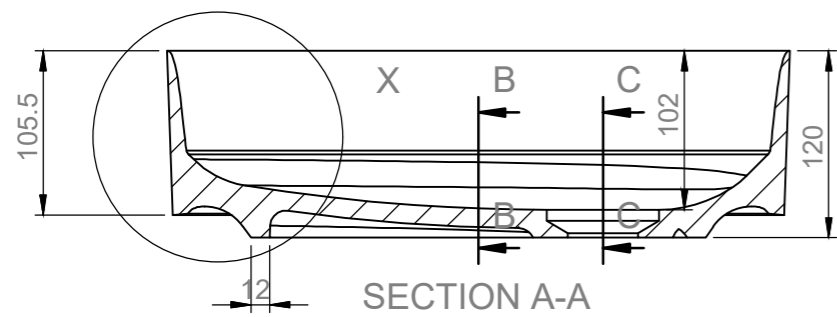
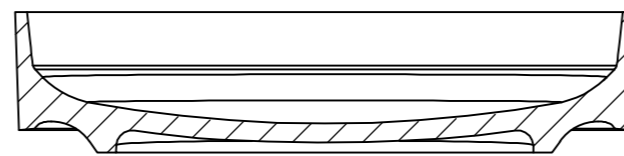


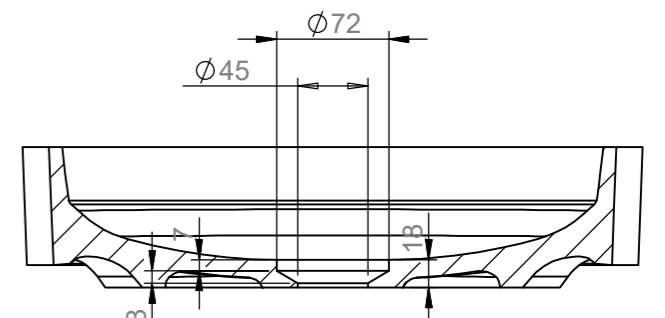
DETAIL X
SCALE 1 : 1



SECTION A-A



SECTION B-B



SECTION C-C

PROJECT TITLE
SOLIDFLOAT D40

ARTICLE NO.
290278

DIMENSIONS (MILLIMETER)
D400 X 120

DATE
2 AUG 2019

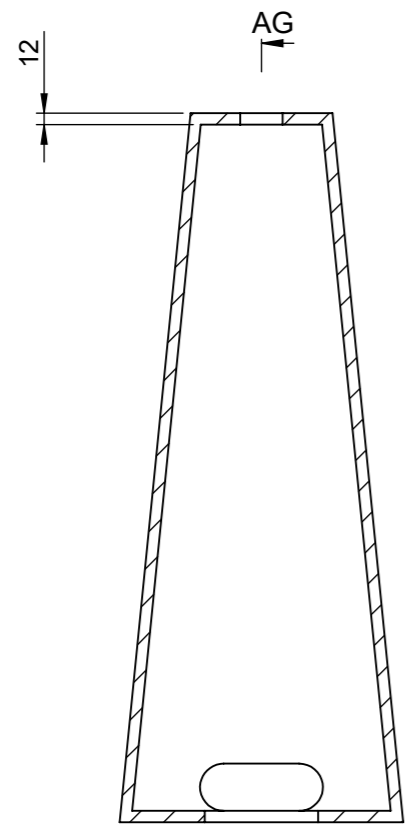
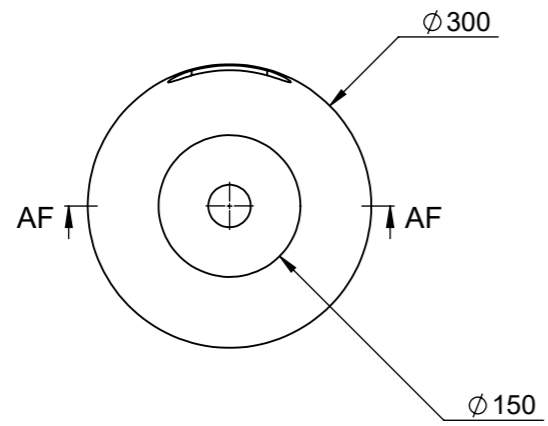
TOLERANCE (MILLIMETER)
± 3

WEIGHT (KILOGRAMS)
-

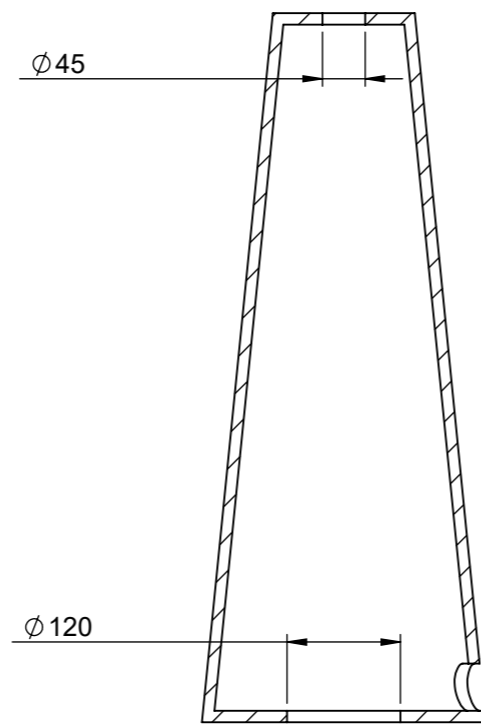
SCALE : 1:2

PAPER SIZE
A3

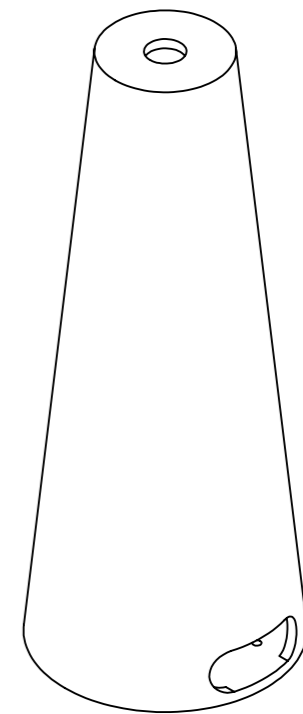
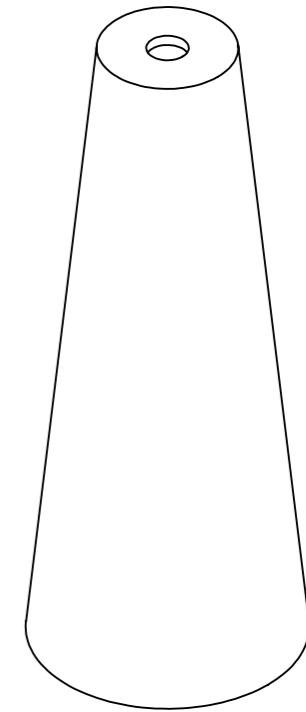
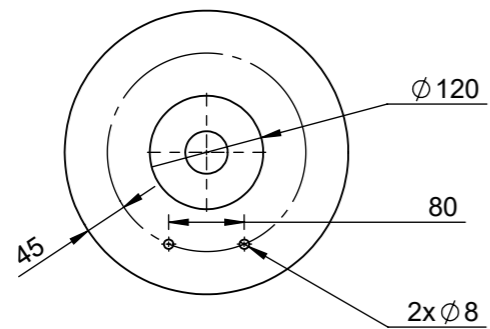
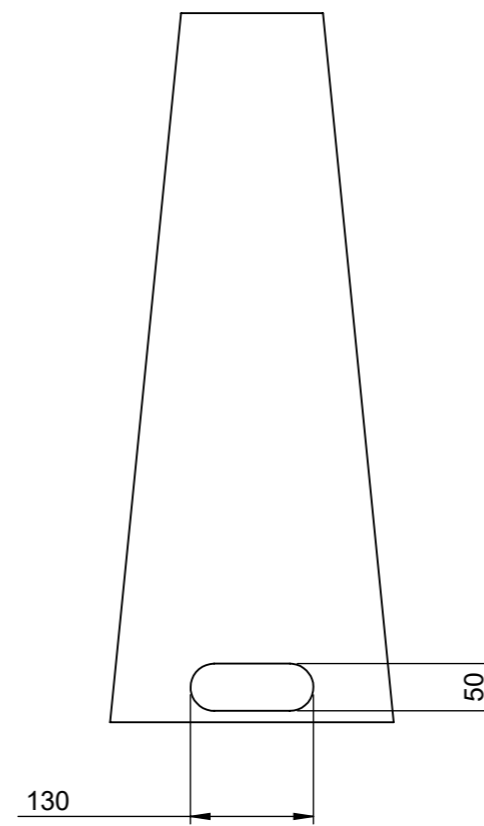
REV.
A-01



SECTION AF-AF



SECTION AG-AG



PROJECT TITLE
FLOAT - Pedestal

ARTICLE NO. 290286

DIMENSIONS (MILLIMETER)
Ø 300 X 750

DATE 14 AUGUST 2019

TOLERANCE (MILLIMETER)
± 1

WEIGHT (KILOGRAMS)
13 ± 2

SCALE : 1:8

PAPER SIZE
A3

REV.
A-01