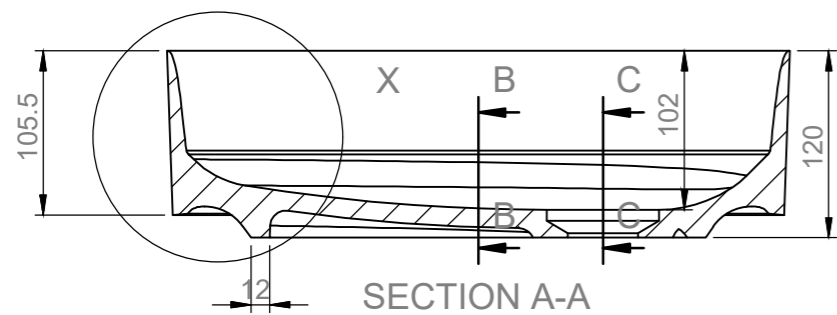
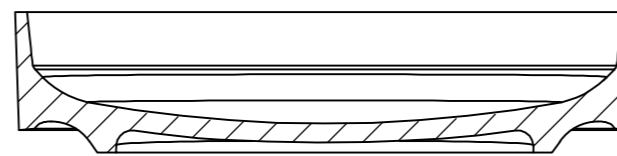


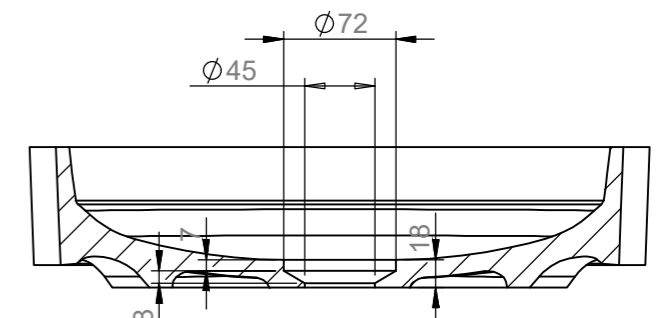
DETAIL X  
SCALE 1 : 1



SECTION A-A



SECTION B-B



SECTION C-C

PROJECT TITLE  
**SOLIDFLOAT D40**

ARTICLE NO.  
**290278**

DIMENSIONS (MILLIMETER)  
**D400 X 120**

DATE  
**2 AUG 2019**

TOLERANCE (MILLIMETER)  
**± 3**

WEIGHT (KILOGRAMS)  
**-**

SCALE : 1:2

PAPER SIZE  
**A3**

REV.  
**A-01**