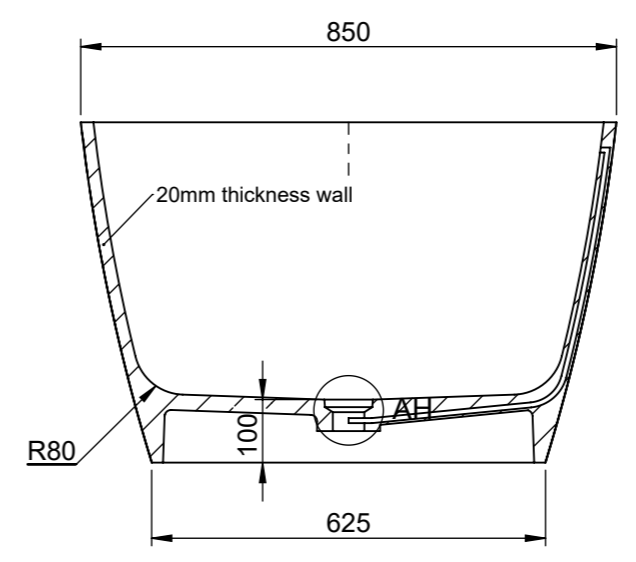
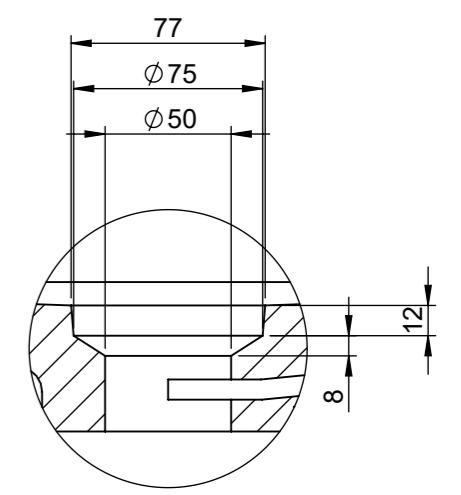


SECTION AF-AF



SECTION AG-AG



DETAIL AH  
SCALE 1 : 3

\*\*1.5mm radius to all edges

PROJECT TITLE IDEAVIT - Bathtub	DIMENSIONS (MILLIMETER) 1700 X 850 X 540	TOLERANCE (MILLIMETER) ± 1	WEIGHT (KILOGRAMS) 125 ± 5	PAPER SIZE A3
ARTICLE NO.	DATE		SCALE : 1:12	REV. A-01